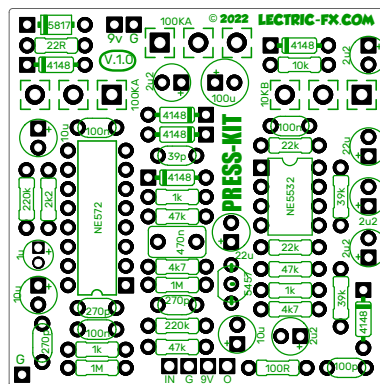
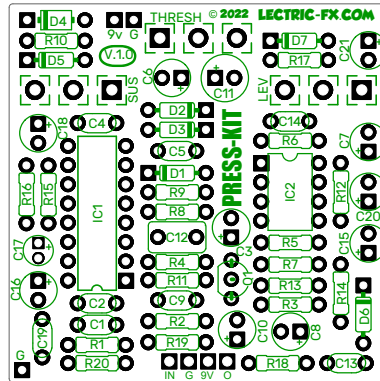


# PRESS-KIT

Based on the Peavey CSR-2 Compressor

© 2022 **LECTRIC-FX.COM**



The PRESS-KIT is Lectric FX's take on the Peavey CSR-2 Compressor/Sustainer, a simple and delightful compressor circuit that slipped under the radar for most. Utilizing the NE572 Compressor/Expander chip, the big brother to the ubiquitous NE571 found in most analog delays, the chip allowed independent control over the attack & decay times and used an external op amp (a nice and quiet NE5532 in this case) for superior low-noise operation. These chips can still be easily found on ebay and other places.

There are two simple controls over compression: & gating threshold, plus a standard level control. Naturally, it's been converted to True Bypass and runs on your everyday 9V supply. It can be built into either a 1590B or a 125B enclosure.

## **B.O.M.**

| <b>RESISTORS</b> |      |
|------------------|------|
| R1               | 1k   |
| R2               | 220k |
| R3               | 4k7  |
| R4               | 4k7  |
| R5               | 22k  |
| R6               | 22k  |
| R7               | 47k  |
| R8               | 47k  |
| R9               | 1k   |
| R10              | 22R  |
| R11              | 1M   |
| R12              | 39k  |
| R13              | 1k   |
| R14              | 39k  |
| R15              | 2k2  |
| R16              | 220k |
| R17              | 10k  |
| R18              | 100R |
| R19              | 47k  |
| R20              | 1M   |

| <b>CAPS</b> |            |
|-------------|------------|
| C1          | 100n       |
| C2          | 270p       |
| C3          | 22u        |
| C4          | 100n       |
| C5          | 39p        |
| C6          | 2u2        |
| C7          | 22u        |
| C8          | 2u2        |
| C9          | 270p       |
| C10         | 10u        |
| C11         | 100u       |
| C12         | 470n       |
| C13         | 100p       |
| C14         | 100n       |
| C15         | 2u2        |
| C16         | 10u        |
| C17         | 1u electro |
| C18         | 10u        |
| C19         | 270p       |
| C20         | 2u2        |
| C21         | 2u2        |

| <b>DIODES</b>      |        |
|--------------------|--------|
| D1                 | 1n4148 |
| D2                 | 1n4148 |
| D3                 | 1n4148 |
| D4                 | 1n5817 |
| D5                 | 1n4148 |
| D6                 | 1n4148 |
| D7                 | 1n4148 |
| <b>IC's</b>        |        |
| IC1                | NE572  |
| IC2                | NE5532 |
| <b>TRANSISTORS</b> |        |
| Q1                 | 2N5457 |
| <b>POTS</b>        |        |
| LEVEL              | 10KB   |
| SUS                | 100KA  |
| THRESH             | 100KA  |

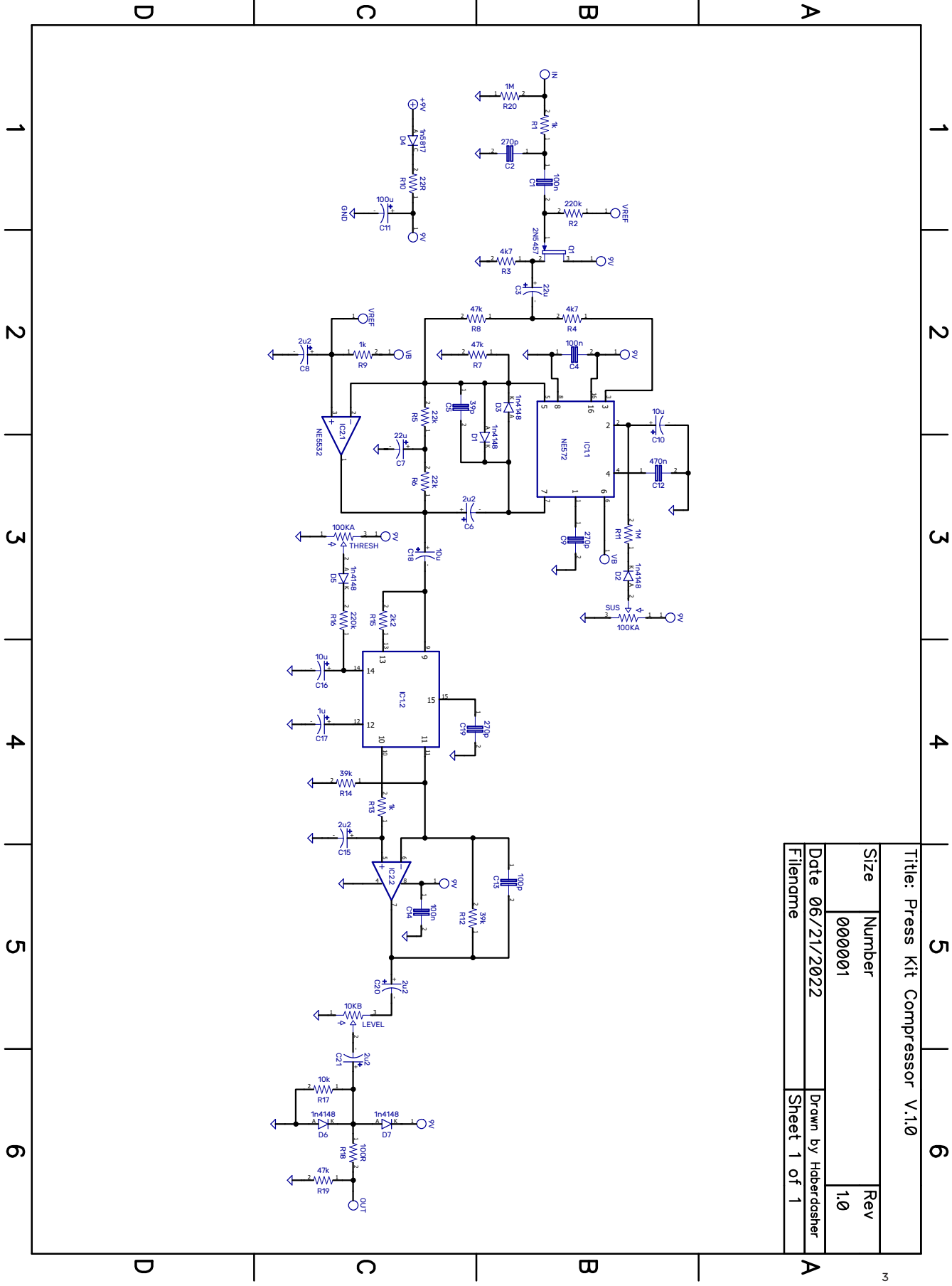
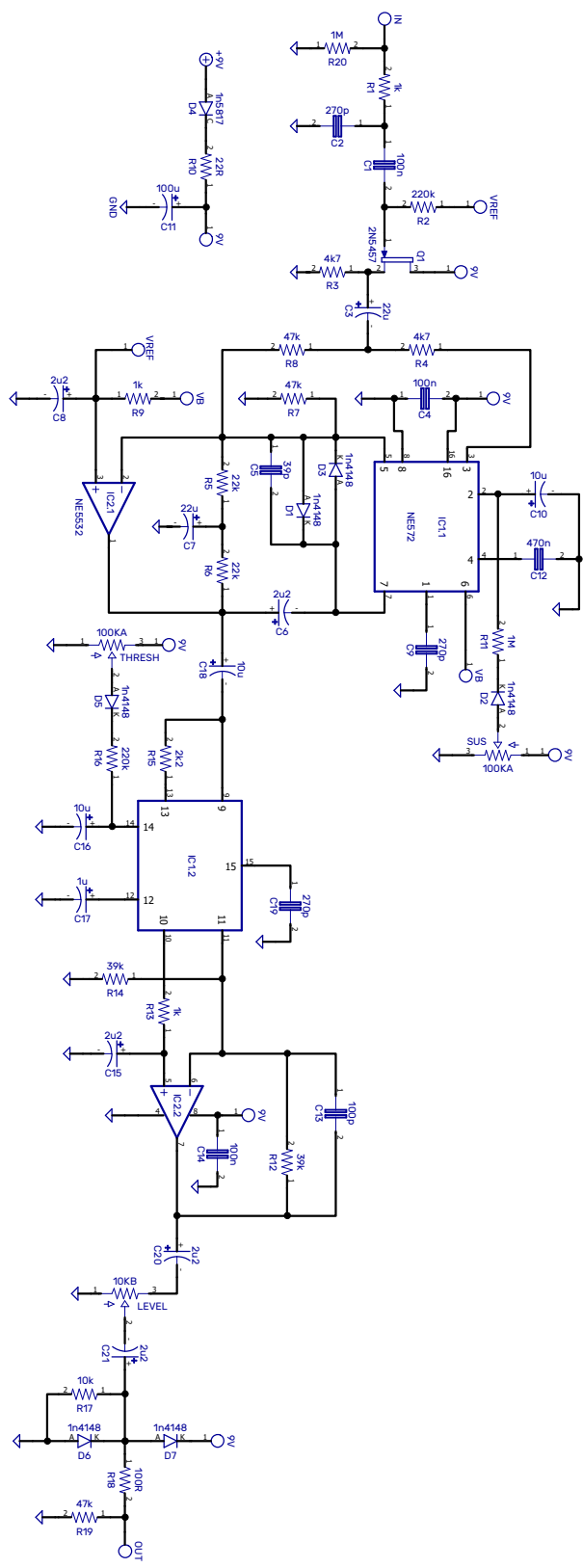
## **QTYs**

| <b>RESISTORS</b> |      |
|------------------|------|
| 1                | 22R  |
| 1                | 100R |
| 3                | 1k   |
| 1                | 10k  |
| 1                | 2k2  |
| 2                | 22k  |
| 2                | 4k7  |
| 2                | 39k  |
| 3                | 47k  |
| 2                | 220k |
| 2                | 1M   |

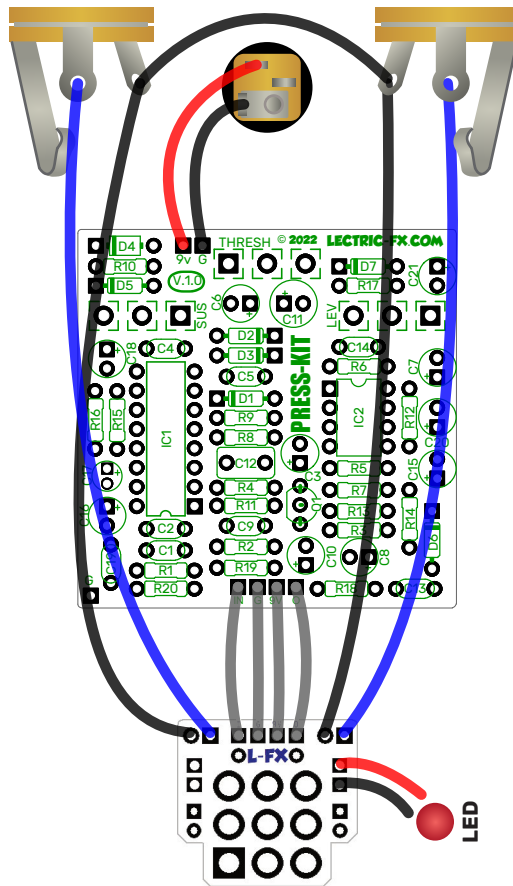
| <b>CAPS</b> |             |
|-------------|-------------|
| 1           | 39p         |
| 1           | 100p        |
| 3           | 270p        |
| 3           | 100n        |
| 1           | 470n        |
| 1           | 1uF electro |
| 5           | 2u2         |
| 3           | 10u         |
| 2           | 22u         |
| 1           | 100u        |

| <b>DIODES</b>      |        |
|--------------------|--------|
| 6                  | 1n4148 |
| 1                  | 1n5817 |
| <b>ICs</b>         |        |
| 1                  | NE572  |
| 1                  | NE5532 |
| <b>TRANSISTORS</b> |        |
| 1                  | 2n5457 |
| <b>POTS</b>        |        |
| 1                  | 10KB   |
| 2                  | 100KA  |

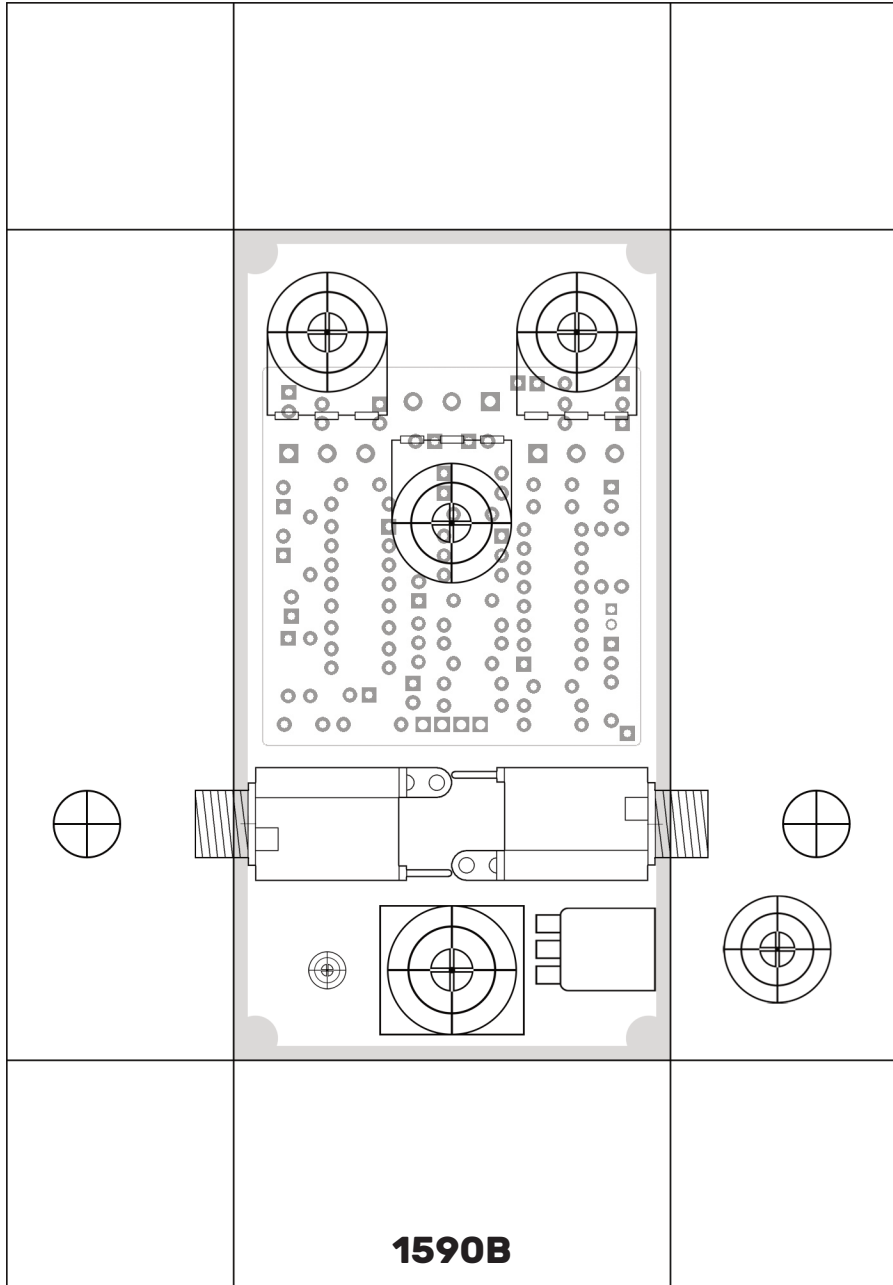
|                                   |                                      |     |
|-----------------------------------|--------------------------------------|-----|
| Title: Press Kit Compressor V.1.0 |                                      |     |
| Size                              | Number                               | Rev |
|                                   | 000001                               | 1.0 |
| Date                              | 06/21/2022                           |     |
| Filename                          | Drawn by Heberdasher<br>Sheet 1 of 1 |     |



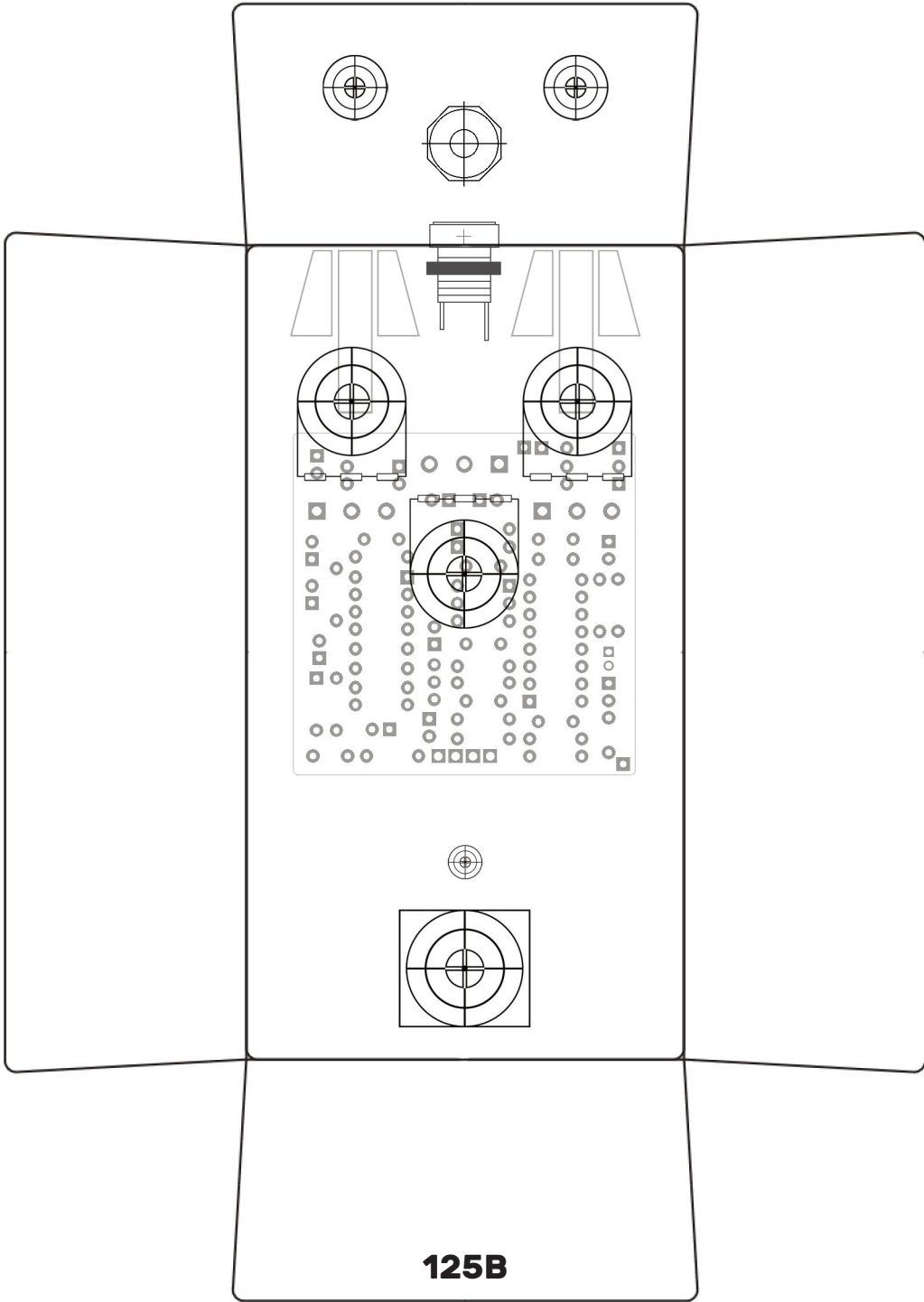
# WIRING (top mount shown)



# DRILL TEMPLATE



# DRILL TEMPLATE



**125B**