

"mini" Thripidity 3PDT PCB

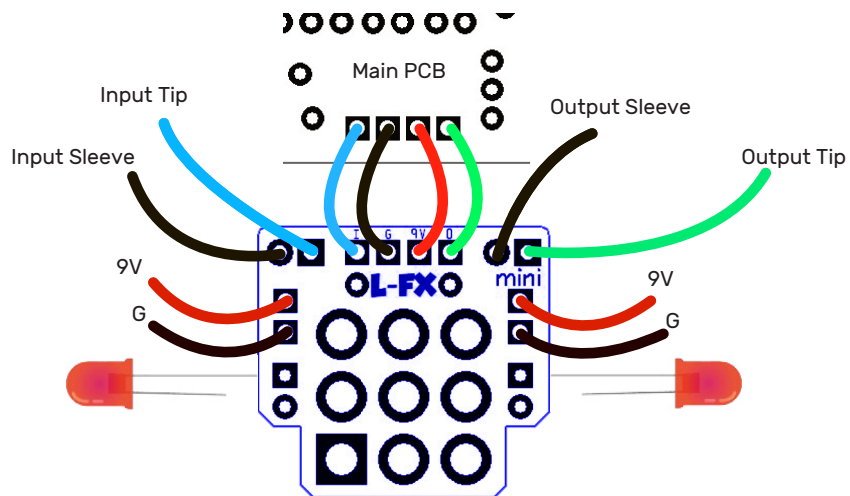
Utility pcb for easier 3PDT wiring



Here's a basic 3PDT breakout pcb we call the "mini" Thripidity. This pcb features a CLR footprint and LED pads on either side for easy placement. 9V & G pads on both sides as well for flexibility regarding DC jack placement. Also includes pads for Input/Output jack Tips/Sleeves.

The In/Gnd/9V/Out pad grouping at the top corresponds to the pad grouping on most, but not all Lectric-fx pcb's.

The pcb should be installed with the CLR silkscreen facing the 3PDT switch, or AWAY from you, with the square pad in the bottom left.



Important Note: There is now a newer version of this pcb (pictured above on the right) that you may receive instead, featuring slotted holes rather than the round ones shown here. Otherwise, it is exactly the same EXCEPT NOW the Lectric-FX logo and the CLR silkscreen will both face you!